

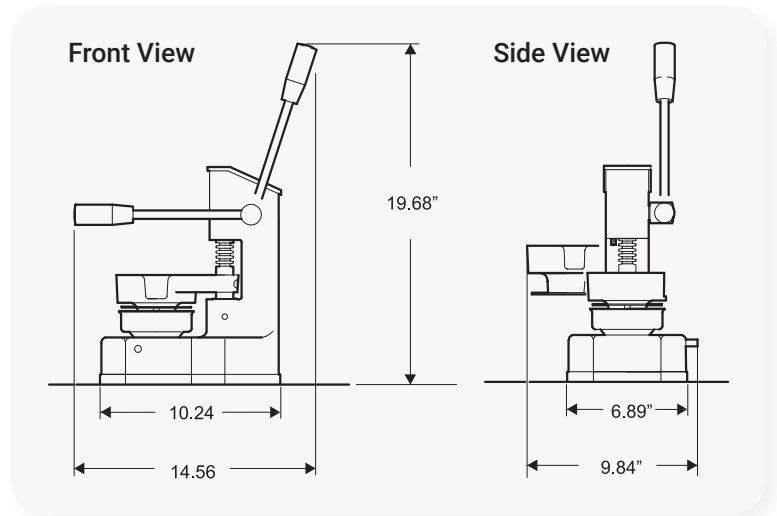
# Top-Down Press Patty Maker With 4" Diameter

ITEM: 11434



Technical Specification	
Item	11434
Type	4" (101 mm) Diameter
Net Weight	11 lb. (5 kg.)
Net Dimensions (WDH)	14.56" x 9.84" x 19.68" (370 x 250 x 500 mm)
Gross Weight	26.4 lb. (12 kg.)
Gross Dimensions (WDH)	16.5" x 11" x 13.38" (419 x 279 x 340 mm)

## TECHNICAL DRAWINGS AND DIMENSIONS



## Fast and easy

Ideal for fast food establishments, restaurants, or any fast-paced kitchen, Trento's top-down press patty maker will help you create perfect, uniform patties whether they are beef, chicken, turkey, or veggie.

## FEATURES:

- Parts in contact with food made of food-grade stainless steel
- Rugged construction
- Simple to operate and easy to clean
- Cellophane papers available separately\*

\*Item 11427 Hamburger Press Paper (100 mm) - Item sold separately

1-833-487-3686

www.trentoequipment.com

sales@trentoequipment.com

Follow us on social media  
@trentoequipment



Authorized Dealer

